

GPS[📍] Vehicle Positioning Communication Terminal



Quick Installation Guideline

Please read this operation guideline carefully before using the product in order to get the correct installation and operation way. Part of the functional structure of the product will be changed without notice, and the actual product shall prevail. This product is limited to the purchaser's own vehicle anti-theft use and is prohibited to be used for illegal use, otherwise, all responsibilities arising therefrom shall be borne by the purchaser himself.

1. Product Functions & Parameters

1.1 Product Function

- Real-Time Tracking
- cut off power and oil remotely (exclusive function of the product with a relay)
- Location Query
- Power off alarm (exclusive function of the product with a battery)
- Vibration Alarm
- Displacement Alarm
- Over-speed Alarm
- Get in or Get out Fence Alarm
- History Playback

1.2 Product Parameter

Item	Specification
Size	70*10*13mm
Weight	65g
Build in battery	100mAH (optional)
Working temperature	-20°C to+60°C
Store temperature	-20°C to+70°C
GPRS	Class2,TCP/IP build in GSM Module
Maximum output power	GSM 850/900:33.0±2dbm GSM 1800/1900:30.0±2dbm
Dynamic output range	-15~-108dbm
Receiver sensitivity	-107dbm
Maximum frequency error	±0.1ppm
sensitivity	Cold start : -145dbm Hot start: -156 dbm Warn start : -145 dbm GPS Navigation: -160 dbm Tracking: -162 dbm
Positioning accuracy	< 10m
First positioning time	Cold start: 32 seconds on average

GSM Antenna	Build in
GPS Antenna	Build in
LED Indicate	Power light

2. LED Indicator Status

2.1 Yellow LED (GSM Signal light)

LED Status	Description
Slow Flash	GSM Initialization
Always light on	GPRS Communication is normal/has been online
Light off	GSM Sleeping
Quick Flash	No SIM card is inserted, or SIM card can not be identified

2.2 Blue LED (GPS Signal light)

LED Status	Description
Slow Flash	Searching GPS Signal
Always light on	GPS Positioned
Light off	GPS Sleeping

Please be noted that when the product is still for 3 minutes, the LED light will automatically turn off, and the LED light will wake up by vibration.

3. Product Installation Instruction

3.1 Preparations before installation:

① Buy a proper SIM card

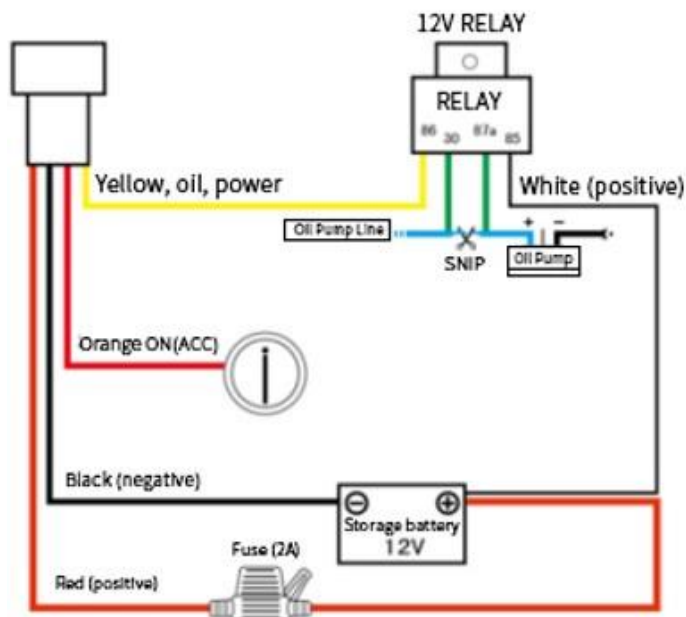
Please buy a SIM card with GSM network, and the size of the SIM card is subject to the actual product.

② Insert the SIM card (the power cable must be unplugged before installing or removing the SIM card).

The cut-off corner of the SIM card is at the bottom left, with the chip side down. (Note: the actual product shall prevail)

Note: the SIM card cannot be inserted reversely, and the SIM card needs to be activated GPRS service. Please make sure the SIM card has prepaid value.

3.2 Wiring Diagram:



- Connecting the red wire to the positive pole
- Connecting the black wire to the negative pole
- Connecting the white wire to the positive pole
- Connecting the orange wire to the ACC
- Connecting the yellow wire to the yellow wire on the relay

3.3 、 Wiring Considerations

Please use the power cable provided by the original manufacturer. The red wire is the positive pole of the power supply, and the black is the negative pole of the power supply. When installing, the negative pole of the power supply requires the earth grounding separately, and does not connect with other ground wires.

The ACC wire (orange wire) is connected to the ACC switch of the vehicle; if the ACC automatic anti-theft function is required, the ACC wire must be connected. Whether the device will be in a defense status is determined by the ACC status. A vibration alarm will be triggered by continuous vibration occurring when the vehicle is in the defence's status.

fuel and electricity shutoff control wire (the yellow wire) connect to the yellow wire on the relay (optional)

3.4 、 Installation Place Diagram:

Car Installation Diagram:



INSTALLATION DIAGRAM OF MOTORCYCLE:

Optimum mounting position

Inside the taillight or inside the plastic accessories please note that the front face up and no metal objects covered, and pay attention to waterproof measures

Optimum mounting position

The inside of the Lampshade near the meter, please note that the front face up and no metal objects covered, and pay attention to waterproof measures



Mounted inside the taillight or under the seat

Installed inside the front cover (best position)



Under the pedals (best position)

Note: The GPS signal drops significantly when mounted under the driver

- Around the dashboard
- Under the front trim panel
- Under the rear windshield
- Installed in the headlight position
- Installed under the foot pedal
- Inside the clinker shed of the vehicle roof
- Under the windshield or inside the centre console
- Installed inside the lampshade, near the stopwatch
- Installed under the rear seat
- Installed near the taillights

Precautions:

1. The product should be installed face up to the sky.
2. If the windshield is pasted with a metal thermal insulation layer or a heating layer, it will reduce the reception of the satellite signal, which may make it difficult to locate the position, in this case, please change the installation place.

4. Start Up Instruction

Startup: start-up operation is different according to different types of devices please take the actual product as the standard!

For devices with a power switch (the power switch is usually next to the card slot or on the side of the device), please insert the SIM card in the correct direction firstly, then connect the power supply, and finally turn the power switch on.

For devices without a power switch, please insert the SIM card in the correct direction, then connect the power supply, and the device will automatically turn on.

5. SMS Command Operation

Please use the mobile phone to edit the SMS command and send it to the SIM card number of the terminal device. Please be noted that the spacing in the SMS command is inputted by the space bar, the comma is the English input status format, and capital letters and lower-case letters must be inputted correctly according to the command requirements.

number	Functional project	instruction format	Responses or remarks
1	APN query	APN#	Re: APN: cmnet,,
2	APN set up	APN,cmnet,,# APN,cmnet,aaa,bbb #	Re: APN: cmnet, aaa, bbb It is recommended to keep a comma placeholder when there is no username and password
3	Server parameter query	SERVER#	Re: SERVER: 0,58.61.154.247,7018,0
4	Server parameter settings	1. Set the domain name: SERVER, 1, domain name, port, 0 # 2. Set up IP: SERVER, 0, IP, port, 0 # The last bit 0 represents: TCP	Sent: SERVER, 0,58.61.154.247,7018,0 # Re: SERVER: 0,58.61.154.247,7018,0
5	Address query (domestic)	123	http://mo.amap.com/?q=22.601862,113.832383&dev=1
6	Address query (abroad)	666# URL# POSITION#	<03-20 22:45>http://maps.google.com/maps?q=+22.601862,+113.832383
7	Status query	STATUS#	Battery:4.23V;GPRS:Offline;GSMSignal Level:25;ACC:OFF;GPS:OFF;Defense:ON;

8	Version query	VERSION#	Re: J14_H18_GT06_54 V4.11 20220312
9	latitude and longitude position query instruction	WHERE#	LastPosition!Lati:N22.601993,E113.832423,Course:169,Speed:0,DateTime:2022-03-20 22:48:49
10	Query parameter settings	PARAM#	IMEI:123456781911111;TIMER:10,3600;SNEDS:3;HBT:180Sec;Defense:2;
11	Restart instructions	RESET#	Re: RESET OK
12	Check the oil-electric control status	RELAY#	Re: RELAY: 0
13	Oil and electricity control	RELAY,A# A=0 / 1; 0 on oil and 1 off oil	Re: RELAY 1 OK
14	Add a central number of 1	CENTER, A, Centre Number #	Send: CENTER, A, 8613912345678 # Re: CENTER, A: 8613912345678
15	Delete the centre number, # 1	CENTER,D#	Re: CENTER Del OK
16	Add the centre number, number 2	CENTER, A 2, Centre Number #	Send: CENTER, A2,8613912345678 # Re: CENTER, A2:8613912345678
17	Delete the centre number, # 2	CENTER,D 2#	Re: CENTER D2 Del OK
18	Add the centre number, # 3	CENTER, A 3, Centre Number #	Send: CENTER, A3,8613912345678 # Re: CENTER, A3:8613912345678
19	Delete the centre number, # 3	CENTER,D 2#	Re: CENTER D3 Del OK
20	Query the centre number	CENTER #	Re: CENTER, A: 8613812345678 CENTER,A2:8613912345678 CENTER,A3:8613812345678
21	Add a SOS number	SOS, A, Number 1, Number 2, Number 3 #	SOS,A,8613912345678# SOS,A,8613912345678,8613912345678# SOS,A,8613912345678,8613912345678,8613912345678# You can choose to set one or more numbers at a time
22	Delete the SOS number	SOS, D, Number 1, Number 2, Number 3 #	SOS,D,1# SOS,D,1,2# SOS,D,1,2,3# You can choose to delete one or more numbers at a time
23	Query the SOS number	SOS#	reply: SOS:8613912345678,8613912345678,8613912345678
24	Allow automatic answering	777#	Re: Automatic incoming call answering has been set After setting, the device automatically answers after

			any number
25	Automatic answering is prohibited	888#	Re: Automatic incoming call answering has been Close After setting, the device automatically answers after SOS or centre number call (default: forbidden)
26	Set up the telephone call-in function	SZCS#CALL_FUN=A	A=0 Voice listening function after phone call-in (default) A=1 After the call, reply to the google link Sent: SZCS # CALL_FUN=1 Re: SETOK: CALL_FUN=1
27	Query the telephone call function	CXCS#CALL_FUN	Re: READOK: CALL_FUN=1
28	The heartbeat package sets the interval	HBT,T1,T2# T1=60-300 seconds, ACC ON heartbeat packet upload interval T 2 = 60 to 300 minutes, ACC OFF heartbeat packet upload interval	Send to: HBT, 180,180 # Re: HBT ACC ON: 180s, ACC OFF: 180s
29	Query the heartbeat packet interval time	HBT#	Re: HBT ACC ON: 180s, ACC OFF: 180s
30	Set the timing transmission interval of GPS data	TIMER,T1,T2# T 1 = 5-60 seconds; upload interval in ACC ON state T 2 = 5-1800 seconds; upload interval in ACC OFF state	Send to: TIMER, 30,300 # Re: TIMER ACC ON: 30s, ACC OFF: 300s
31	Query the GP S data timing transmission interval time	TIMER#	Re: TIMER ACC ON: 30s, ACC OFF: 300s
32	Time-lapse fortification setting	DEFENSE,A# A: 1~60 minutes, fortification delay time	Send to: DEFENSE, 3 # Re: DEFENSE: 3
33	Query the delay fortification time	DEFENSE#	Re: DEFENSE: 2
34	The SENSOR controls the GPS time	SENDS,A# A=0-300 minutes 0 indicates that GPS	Send to: SENDS, 5 # Re: SENDS: 5

		is frequently open	
35	Query the SENSOR to control the GPS time	SENDS#	Re: SENDS: 3
36	Turn on the vibration alarm setting	SENALM,A,M# A=ON M=0~2; Alarm reporting method, 0 GPRS only, 1 SMS+GPRS, 2 GPRS+SMS+CALL;	Send to: SENALM, ON, 2 # Re: SENALM: ON, 2
37	Turn off the vibration alarm	SENALM,OFF#	Re: SENALM: OFF
38	Query the vibration alarm setting parameters	SENALM#	Re: SENALM: OFF
39	Turn on the power-off alarm setting	POWERALM,A,M,T1,T2,# A=ON M=0~2; 0 GPRS only, 1 SMS + GPRS, 2 GPRS+SMS+CALL T1=2~60 seconds; power-off detection time T2=1-3600 seconds minimum charging time	Send: POWERALM, ON, 2,10,10, # Re: POWERALM: ON, 2,10,10
40	Turn off the power alarm	POWERALM,OFF#	Re: POWERALM: OFF
41	Check the power outage alarm status	POWERALM#	Re: POWERALM: ON, 2,10,10
42	Turn on the low-power alarm setting	BATALM,A,M# A=ON M=0~1 0 Representative: GPRS only, 1 Representative: SMS + GPRS,	Send to: BATALM, ON, 1 # Re: BATALM: ON, 1
43	Turn off the low-power alarm setting	BATALM,OFF#	Re: BATALM: OFF
44	Query the low-power alarm status	BATALM#	Re: BATALM: ON, 1
45	Open the displacement alarm setting	MOVING,A,R,M# A=ON	Send: MOVING, ON, 1000,2 # Re: MOVING: ON, 1000,2

		R=100~1000; the displacement radius M=0~2; 0 GPRS only, 1 SMS + GPRS; 2 GPRS+SMS+CALL	
46	Turn off the displacement alarm	MOVING,OFF#	Re: MOVING: OFF
47	Query the displacement setting status	MOVING#	Re: MOVING: ON, 1000,2
48	Turn on the speeding alarm	SPEED,A,B,C,M# A=ON B = 5-600 seconds; Overspeed time C = 1 ~ 255 km/h; speed threshold M=0~1; Alarm reporting method, 0 GPRS only, 1SMS + GPRS;	Send: SPEED, ON, 10,120,1 # Re: SPEED: ON, 10,120,1
49	Close the speeding alarm	SPEED,OFF#	Re: SPEED: OFF
50	Query the Overspeed setting status	SPEED#	Re: SPEED: ON, 10,120,1
51	Turn on the ACC ignition alarm	ACCALM,A,M# A=ON M=0~3 0: GPRS only, 1 : GPRS +SMS , 2 : GPRS+CALL, 3 : GPRS+SMS+CALL	Send to: ACCALM, ON, 3 # Re: ACCALM: 3, OK
52	Turn off the ACC ignition alarm	ACCALM,OFF#	Re: ACCALM, OFF OK
53	Query the ACC ignition alarm	ACCALM#	Re: ACCALM: 3, OK
54	Turn on the ACC flameout alarm	ACCOFFALM,A,M# A=ON M=0~3 0: GPRS only, 1 : GPRS +SMS , 2 : GPRS+CALL, 3 : GPRS+SMS+CALL	Send to: ACCOFFALM, ON, 3 # Re: ACCOFFALM: 3, OK

55	Close the ACC shutdown alarm	ACCOFFALM,OFF#	Re: ACCOFFALM, OFF OK
56	Query the ACC flameout alarm	ACCOFFALM#	Re: ACCOFFALM: 3, OK
57	Set the dormant working mode	SZCS#SLPDISCONNECT=A	A=0 Maintain the platform connection after hibernation (default) A=1 dormant power platform connection, SMS is available A=2 After platform is disconnected, SMS is not available Send to: SZCS # SLPDISCONNECT=0 Re: SETOK: SLPDISCONNECT=0
58	Query the hibernation working mode	CXCS#SLPDISCONNECT	Re: READ OKK: SLPDISCONNECT=0
59	Text message time area setting	GMT,A,B,C#	A: E or W;"E" means eastern time zone, "W" means western time zone;default: E B: 0~12;time zone default: 8 C: 0/15/30/45;half time zone;default: 0 Send to: GMT, E, 8,0 # Re: GMT: E, 8,0
60	Text message time area query	GMT#	Re: GMT: E, 8,0
61	GPRS time zone settings	SZCS#GT06GPRSGMT=A	A=0 Fixed with 0 time zone reporting platform (default) A=1 Platform time zone is synchronized with the SMS time zone Send to: SZCS # GT06GPRSGMT=1 Re: SETOK: GT06GPRSGMT=1
62	A GPRS time-zone query	CXCS#GT06GPRSGMT	Re: READOK: GT06GPRSGMT=1

Note: When editing SMS command, you need to replace "password" with the password corresponding to the APN of the inserted SIM card

Special statement: This product is limited to the purchaser's own vehicle anti-theft use, and is prohibited to be used for illegal use, otherwise all responsibilities arising therefrom shall be borne by the purchaser himself.

6. Device Application Operation

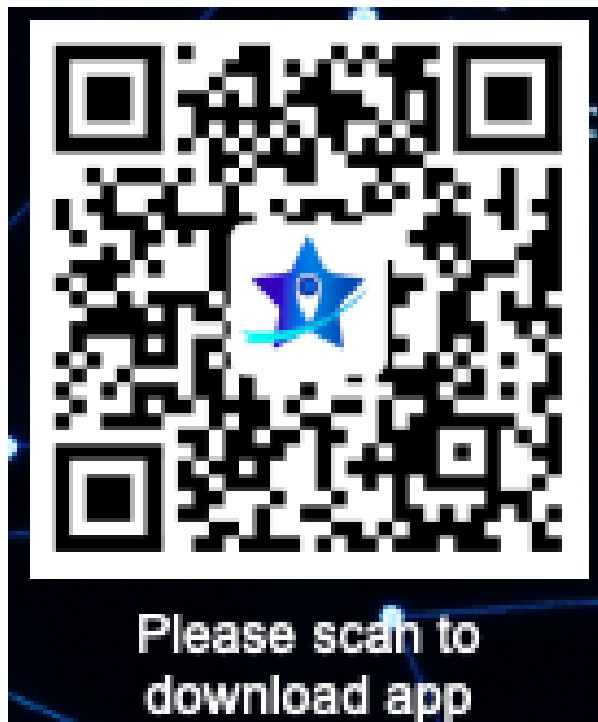
6.1 Login Location Service Platform

Please log on to the dealer's location service platform for corresponding settings and function operations.

Default login account: IMEI number (see the label paper on the product)

Default login password: offered by your dealer

6.2 APP Login



Please enter the login interface after you have downloaded and installed the APP. Single product login please select "IMEI/ID login" (IMEI/ID numbers are the 10 numbers below the barcode which printed on a label paper that attached to the product). If you have an account, you can choose "User Login" option (the user name is created by the manufacturer or dealer).

6.3 Mobile Phone APP Operation Introduction

After logging in to the home page, please select the corresponding device, and click "Real-time Positioning", "Playback of driving route" or "More" option to perform corresponding operations as required.

After entering the "More" page, you can perform "send command" operations or "Geo-fence" settings, as well as view and edit "device information", etc.

In the sending command function, you can operate and set command of the fuel cutoff, fuel resupply, setting defence alarm, cancelling defense alarm, upload frequency, main control number (i.e centre number), SOS number, etc.

7. Optional Function Description

When you need help in an emergency, you can press the SOS button for 3 seconds, which will trigger the SOS emergency help alarm. The terminal will send an SOS alarm SMS to the set SOS number and dial the specific number of the SOS, meanwhile, it will also upload the SOS alarm information to the monitoring platform.

Please be noted that to realize this function, you need to choose a product that can be used with SOS. For SMS and phone alarm functions, you need to set the car owner's number first, and for the SOS alarm, you need to set the SOS-specific number.

Remote-shutoff fuel and power supply (optional)

When the vehicle is stolen, the background monitoring platform can actively send a fuel and power cut-off command, and on the premise of ensuring the safe driving of the vehicle, the fuel circuit of the stolen vehicle can be cut off so that the vehicle cannot be started up.

When the carjacking alarm is dismissed, the monitoring background platform manually sends out the fuel and power resupply command, and the terminal executes the fuel and power resupply operation, so that the vehicle can be able to drive again.

Note: in order to ensure the safety of the vehicle, the terminal only executes the fuel and power cut-off operation when the GPS is in a valid positioning state and the vehicle speed is less than 20KM/H or when the vehicle is stationary.

8. Troubleshooting

If the device is unable to connect to the background server after being installed for the first time, and the background server shows that it is not online, please check the device installation;

When using the product, if you have any problem, please refer to the following problems and solutions; if these solutions cannot solve your problem, please contact your dealer.

Common Issues	Problems	Solution
Poor signal reception	When using the product in areas with poor reception, such as near high-rise buildings or underground parking lots, satellite radio waves cannot be effectively transmitted	Use the product in a place where have strong signal
Unable to connect to the platform for the first installation	The main power cable does not wire correctly	Do not wire to the vehicle's interior control wires
	The SIM card is not installed properly	Check the SIM card and reinstall it
	LED indicator status	Check if the indicator light flashes fast or slow or is always on
	The SIM card has not activated the GPRS service	Please contact the network service provider to activate GPRS
Platform map shows incorrect location	GPS does not locate the position	Please go to open space for positioning
	The vehicle does not move after installing the device	drive a few laps on the road
	The terminal does not wire to ACC	Wire the terminal to ACC and insert the car key to start up the ACC
The platform shows that the main power is disconnected	The power cable does not connect properly	Check if the power cable of the device is connected properly
The platform shows the device is offline	The SIM card is in arrears or is cancelled the GPRS service	Please check the SIM card status
	The vehicle is in a weak signal area	Please go to a place that has a strong signal and try again

Warranty Card

Special statement:

1. There may be technical changes to this product in the future without notice.
2. If the appearance and colour of the product have changed, the actual product shall prevail.
3. The warranty card only applies to the three-guarantee service of the IMEI number product listed below.
4. Please keep this warranty card properly. Please show this card and the original purchase receipt when you need warranty service.
5. Please refer to the table below for specific warranty coverage.

This card is the basic certificate of warranty, please fill in this card carefully and keep it properly.

User Name		Phone Number	
Address			
Product Model		IMEI Number	
Purchase Date		Invoice Number	
Distributor Name			
Distributor Address			
Distributor phone Number			
<ol style="list-style-type: none">1. Since the date of purchase, non-man-made damage is guaranteed for one year.2. The following situations are not covered by the warranty, but users can get a paid maintenance service.<ol style="list-style-type: none">(1) Exceeding the warranty period.(2) Damage caused by disassembly or repair without authorization of our company.(3) Soaking in water and burning the circuit board.(4) Damage caused by improper installation, use, maintenance and storage.(5) Product shell damaged during use.(6) The IMEI number inside the product has been torn out or blurred.(7) The warranty certificate does not match the product model, or the warranty certificate is altered.(8) Damage caused by force majeure factors.			